

Jug Caser



Use For:

- 1 gallon / 4 liter or
1/2 gallon / 2 liter jugs
- Plastic dairy cases
- Corrugated cases

Key Features:

- Case packs 1 gallon (4 liter) or 1/2 gallon jugs
- Loads plastic dairy cases or corrugated cases
- Operation speeds up to 120 jugs/minute
- All stainless steel construction
- PLC controls with Nema 4/4x stainless steel panel
- Soft load design
- Compact design
- Installs easily over existing conveyor

Options Available:

- Dual case loading
- Special case sizes are available
- Touch screen operator HMI with system diagnostics

To complement this casing system, Westfalia Deam Systems can provide case stacking/destacking systems, jug and case conveyors, case pushers/inverters, palletizers, dolly loaders, automated cold storage systems (AS/RS) and Warehouse Management Software (WMS).

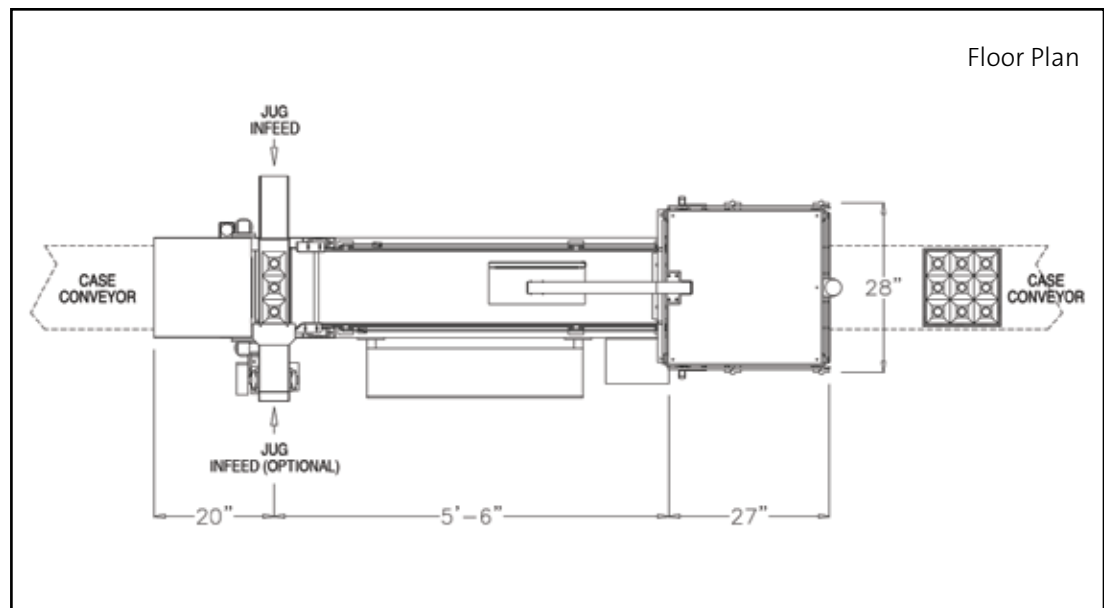




Technical Specifications

Electrical requirements: 230/400/575 V, 3 ph, 50/60 Hz, 2 KW

Compressed air: 2 cfm @ 100 psi



About Westfalia Technologies

For 35 years, Westfalia Deam Systems has been a leader in providing customized case handling and case packing equipment designed to meet specific customer requirements. In addition to Deam case handling and packaging systems, Westfalia creates innovative material handling solutions to support customer distribution and storage needs. Westfalia's products include automated storage and retrieval systems, pallet flow systems, warehouse management software, robotic palletizing and conveyor systems.



3655 Sandhurst Drive
York, PA 17406

Tel. 717-764.1115
Fax 717-764.1118

email: sales@WESTFALIAUSA.com
www.WESTFALIAUSA.com

Other Equipment Available from Westfalia Deam Systems

Empty Case Handling Systems

- Case Pushers/Diverters/Inverters
- Conveyor Systems
- Destacking Systems for multiple case sizes

Full Case Handling Systems

- Cold Storage Systems
- Palletizers and Unitizers
- Stackers for multiple case sizes and speeds
- Stack Pushers
- Standard and Customized Conveyors

Case Packers and Product Conveyors

- Creamer Cup Casers
- Culture Product Casers
- Custom-designed Casers
- Gable Top Carton Casers for multiple sizes and speeds
- Gallon and 1/2 Gallon Casers
- Plastic Bottle Casers for multiple sizes and speeds

System Integration

- Cold Storage Automated Storage and Retrieval Systems
- Engineering Layout and Consulting
- Turnkey Material Handling for plant upgrades and new plant projects
- Warehouse Management Software