

High Speed Case Stacker



16 qt. high speed case stacker

Key Features:

- Stacking speed up to 30 cases per minute
- Variable stack heights
- Air powered with integral air reservoir
- Air valves mounted in stainless steel enclosure
- Installs easily over existing conveyors
- All stainless steel construction
- PLC system in Nema 4/4x panel
- Compact design

Options Available:

- Stacks 16 quart and 24 quart size crates

To complement this casing system, Westfalia Deam Systems can provide case stacking/destacking systems, jug and case conveyors, case pushers/inverters, palletizers, dolly loaders, automated cold storage systems (AS/RS) and Warehouse Management Software (WMS).

Use For:

- 16 qt. plastic dairy cases
- 24 qt. plastic dairy cases

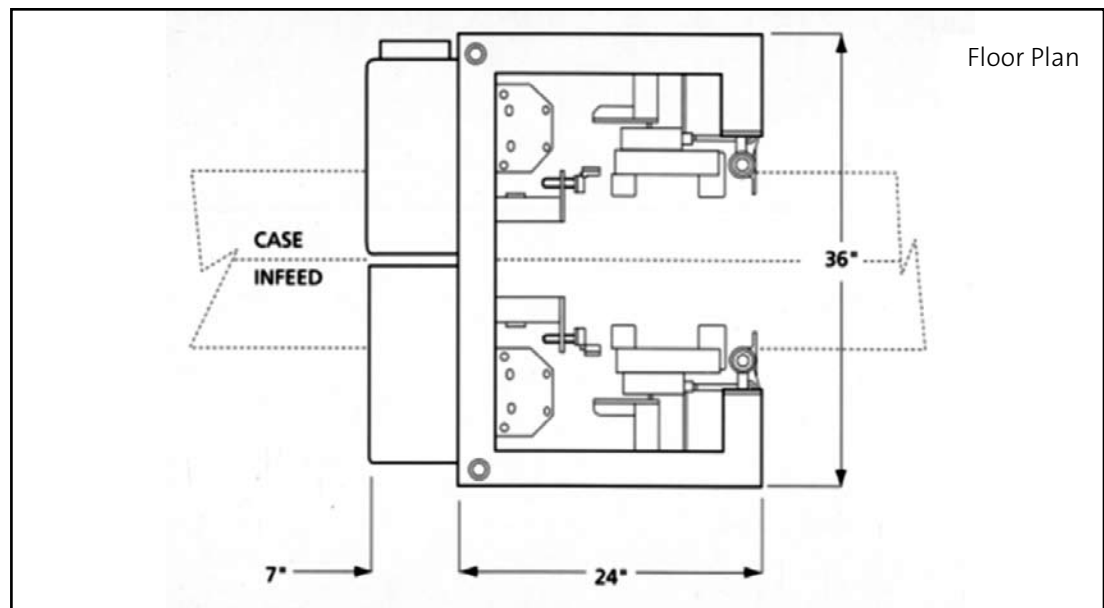




Technical Specifications

Electrical requirements: 120 V, 1 ph, 50/60 Hz, 100 W

Compressed air: 8 cfm @ 100 psi



About Westfalia Technologies

For 35 years, Westfalia Deam Systems has been a leader in providing customized case handling and case packing equipment designed to meet specific customer requirements. In addition to Deam case handling and packaging systems, Westfalia creates innovative material handling solutions to support customer distribution and storage needs. Westfalia's products include automated storage and retrieval systems, pallet flow systems, warehouse management software, robotic palletizing and conveyor systems.

Westfalia 
Deam Systems

3655 Sandhurst Drive
York, PA 17406

Tel. 717-764.1115
Fax 717-764.1118

email: sales@WESTFALIAUSA.com
www.WESTFALIAUSA.com

Other Equipment Available from Westfalia Deam Systems

Empty Case Handling Systems

Case Pushers/Diverters/Inverters
Conveyor Systems
Destacking Systems for multiple case sizes

Full Case Handling Systems

Cold Storage Systems
Palletizers and Unitizers
Stackers for multiple case sizes and speeds
Stack Pushers
Standard and Customized Conveyors

Case Packers and Product Conveyors

Creamer Cup Casers
Culture Product Casers
Custom-designed Casers
Gable Top Carton Casers for multiple sizes and speeds
Gallon and 1/2 Gallon Casers
Plastic Bottle Casers for multiple sizes and speeds

System Integration

Cold Storage Automated Storage and Retrieval Systems
Engineering Layout and Consulting
Turnkey Material Handling for plant upgrades and new plant projects
Warehouse Management Software