

INPACK™ 'S' SERIES

Model S30, S45, S60, S90X



PREFORMED TRAY SEALING MACHINE

For Modified Atmosphere Packaging



► 'S' Series

- **Seal Integrity** – Time, Temperature, and Pressure are all monitored and controlled to provide consistent seals you can depend on.
- **Sanitation** – Stainless Steel Washdown Design
- **Speed** – Servo Drive Indexing System
- **Savings** – Contoured filler plates for minimum gas usage and unique film cradle design to minimize film waste.
- **Solid** – Heavy Duty Construction Design, Including Over-Center, Die Closing System
- **Serviceability** – Full-color, user-friendly, programmable touch screen control with multi-language support. Fast, easy changeover design for converting from one package size to the next.



INPACK™ 'S' SERIES

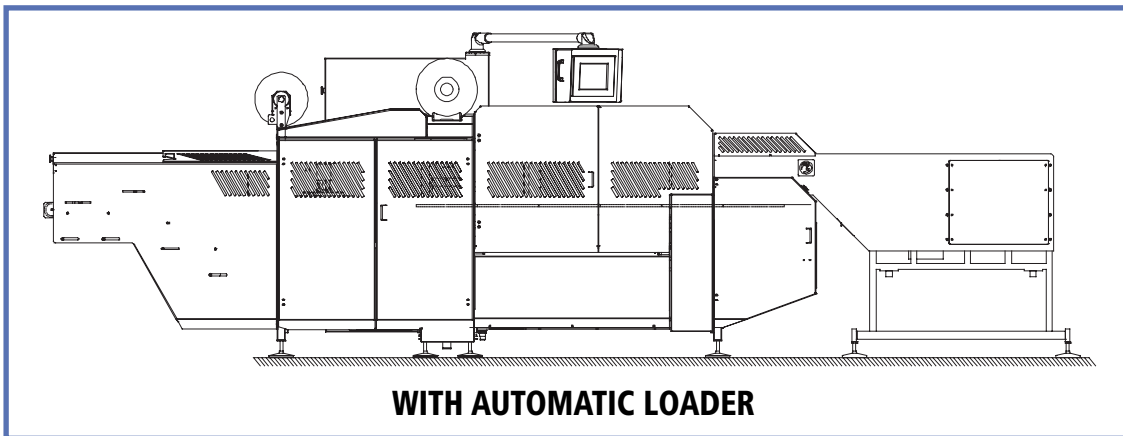


OPTIONS

- Registration for printed film.
- Date Coders and Labelers
- Online Gas Analyzer
- Tray De-Nester
- Portioning Equipment
- Extended Product Loading Area
- Automatic Tray Loader (shown below)



The ROSS Advantage Is...
THE BEST FILM UTILIZATION & LOWEST GAS CONSUMPTION, GUARANTEES THE LOWEST PACKAGE COST!



Utilities Requirements

Electrical: 208-575V • 3Ph • 50/60 Hz
 Water: 114 Liters/Hour (30 Gallons/Hour)
 Air: 566 Liters/Minute (20 CFM)

Machine Dimensions

Length: 4,796 mm (188.8") available to 8,608 mm (338.8")
 Width: S30 1,091 mm (42.95"), S45 1,288 mm (50.71"), S60 & S90X 1,491 mm (58.71")
 Height: 2,000 mm (78.75") Height



Ross Industries Packaging Division
 5321 Midland Road
 Midland, VA 22728

540-439-3271 • 540-439-2740 Fax
 www.rossindinc.com
 E-mail: sales@rossindinc.com

Represented by:

Robert Reiser & Co., Inc.
 725 Dedham Street
 Canton, MA 02021 USA
 (Corporate Office)
TEL (781) 821-1290
FAX (781) 821-1316
 sales@reiser.com

Reiser (Canada) Ltd.
 945 Gateway Drive
 Burlington, ONT
 L7L 5K5 Canada
TEL (905) 631-6611
FAX (905) 631-6607

Reiser (UK) Ltd.
 Maidstone Road Kingston,
 Milton-Keynes MK10 0BD
 United Kingdom
TEL 44 (0) 1908 585 300
FAX 44 (0) 1908 585 400