



JSSB CASER

School lunch programs started making the switch from clumsy paper half-pint cartons to plastic single-serve bottles over a decade ago. National brands and fast-food chains soon followed. Statco-DSI designed the JSSB caser to help processors like you adapt to this growing trend.

Whether you are packaging milk, flavored teas or other non-carbonated beverages, the JSSB caser can load a wide variety of round and square PET and HDPE half pint, pint, quart and half gallon containers in plastic dairy cases.

Statco-DSI manufactures our casers in house so we can customize the units to meet your specific production needs.

Options:

- Mat-top mounted square bottle pusher
- Servo positioner/vacuum heads
- Valve manifold heating pad (required in <40°F environment)
- Spare parts kit

Pack it in ...
with a rugged, reliable
Statco-DSI Caser.

You can rely on your Statco-DSI Caser for:

Ease of use

- PanelView™ user interface
- Automatic re-settable case counter
- Allen Bradley PLC controls
- Self-diagnosing software
- Less moving parts than competitive models

Production efficiency

- No case/no load
- Reduced changeover time
- Soft start with quick exhaust
- Full case back-up hold/resume switch
- Upside down case detection
- Ethernet connectivity

Versatility

- Runs numerous sizes on one machine – plastic bottles (round and square)
- Available in left or right hand feed
- Available in reverse flow case supply

Operator safety

- E-stop safety feature
- Safety interlock on loading chamber covers



Specifications

Utility Requirements:

Air: 30cfm at 90psi

Electrical:

Caser panel - 120 VAC/25 amp

Mat-top bottle conveyor in-feed drive

1 hp, 230 VAC 3ph

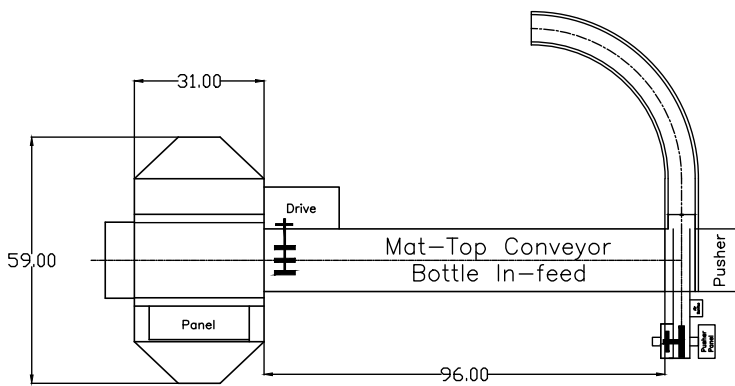
(integrated VFD driven)

Dimensions:

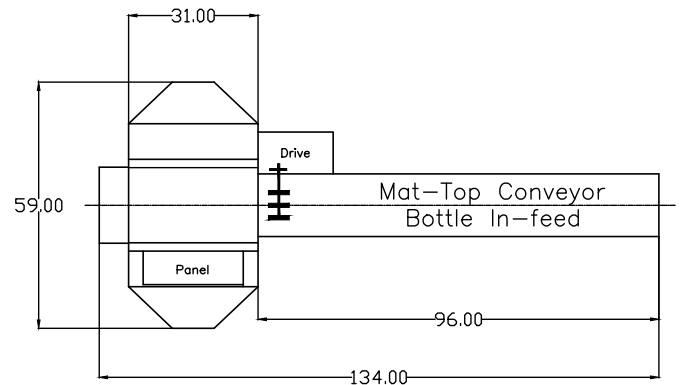
Some changes will occur depending upon application

Container Sizes	Model JSSB 13 x 13 Case	Model JSSB 13 x 19 Case
½ Gallon - Square Plastic	120*	120*
Quart - Square Plastic	160*	160*
Quart - Round Plastic	220	250
½ Pint (2 tier) - Round Plastic	340	420
½ Pint (2 tier) - Square Plastic	200*	200*
Pint - Round Plastic	280	390
Pint - Square Plastic	200*	200*

*Limited by Bottle Pusher



Typical Square Bottle Configuration



Typical Round Bottle Configuration

Contact us today ... and get packing with a Statco-DSI JSSB Caser.



Caser Division
 13175 Santa Ana Ave
 Fontana, CA 92337
 P: 909-822-6971
 E: info@statco.dsi.com
 statco-dsi.com