



www.matconibc.com



IBC Blending Module

**Mix Any Recipe -
Any Time**

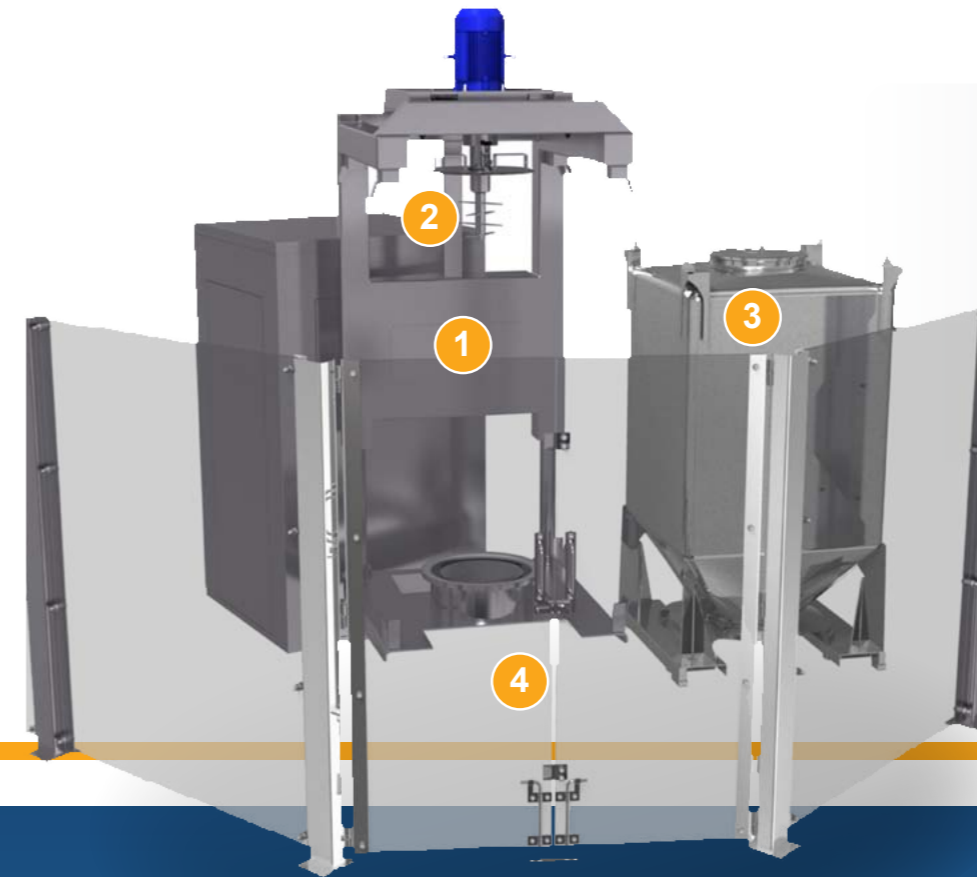




www.matconibc.com

IBC Blending Module...

...eliminate the time consuming cleaning associated with traditional static mixers.



Key Features

- 1 IBC Blender
- 2 Intensifier Assembly (optional)
- 3 Intermediate Bulk Container (IBC)
- 4 Interlocked Safety Cage



	Setpoint	Actual
Time	30 : 00	00 : 00
Speed	12	11
High shear speed	1000	

START BLEND CYCLE

DIAGNOSTICS Return



The Goals of Lean Powder Processing

- Reduce the cost per kilogram manufactured
- Reduce inventory – improve cash utilisation
- Maximise plant flexibility - make to order
- Enable rapid product change-over
- Optimise flow manufacturing

Key Benefits

- ▶ System is always Blending - filling, emptying and cleaning are done offline
- ▶ In-bin blending for instant recipe changes without risk of Contamination
- ▶ Wide range of batch sizes give flexibility
- ▶ Intensifier package expands blending capability including Liquid Addition
- ▶ Modular solution – factory assembled - proven design - low risk





www.matconibc.com



MATCON, Bramley Drive, Vale Park West, Evesham, Worcestershire, WR11 1JH, UK
Tel: +44 (0) 1386 769 000 Fax: +44 (0) 870 1911116 Email: matcon_marketing@idexcorp.com

